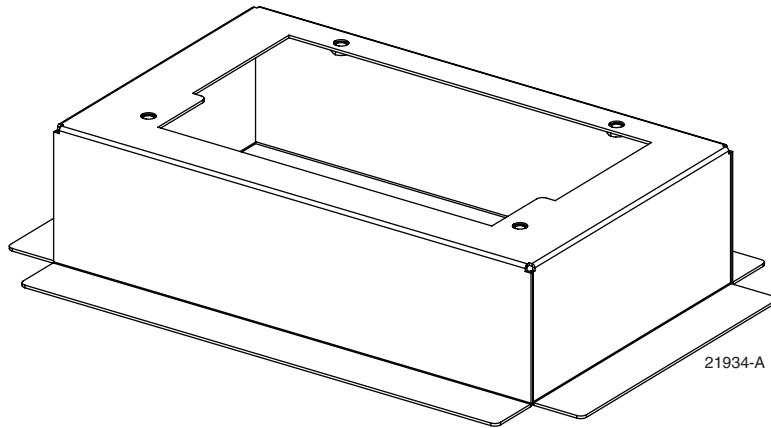




OmniReach™ FDH 3000 Small Cabinet Pad Mount Frame Installation Instructions



Content	Page
INTRODUCTION	1
1 DESCRIPTION	3
2 INSTALLATION RECOMMENDATIONS	3
3 BASE CONSTRUCTION AND CONDUIT INSTALLATION	3
4 CONCRETE PAD CONSTRUCTION	5
5 GROUNDING SYSTEM INSTALLATION	6
6 CUSTOMER INFORMATION AND ASSISTANCE	7

INTRODUCTION

This publication describes the Pad Mounting Frame (PMF) used with FDH 3000 small size cabinets and provides instructions for installation. Complete information about the FDH 3000 is provided in the User Manual (ADCP-96-114) that is shipped with the cabinet.

Revision History

ISSUE	DATE	REASON FOR CHANGE
1	05/2007	Original.

List of Changes

PAGE	IDENTIFIER	DESCRIPTION OF CHANGE
-	-	Original.

Trademark Information

ADC and ADC Telecommunications are registered trademarks of ADC Telecommunications, Inc.

OmniReach is a trademark of ADC Telecommunications, Inc.

Admonishments

Admonishments — in the form of Dangers, Warnings, and Cautions — must be followed at all times. These warnings are flagged by use of the triangular alert icon (seen below), and are listed in descending order of severity of injury or damage and likelihood of occurrence.



Danger: *Danger is used to indicate the presence of a hazard that **will** cause severe personal injury, death, or substantial property damage if the hazard is not avoided.*



Warning: *Warning is used to indicate the presence of a hazard that **can** cause severe personal injury, death, or substantial property damage if the hazard is not avoided.*



Caution: *Caution is used to indicate the presence of a hazard that **will** or **can** cause minor personal injury or property damage if the hazard is not avoided.*

1 DESCRIPTION

The FD3-PMFC06, shown in [Figure 1](#), is a stainless steel frame that provides a mounting base for the small size FDH 3000 cabinet when installed in a concrete pad foundation.



Caution: *Mounting the cabinet directly on a concrete pad may cause chemical corrosive action to the cabinet. Use only the Pad Mount Frame (PMF) as a mounting base for the cabinet. Do not use caulking compounds as a sealer between the cabinet and the PMF.*

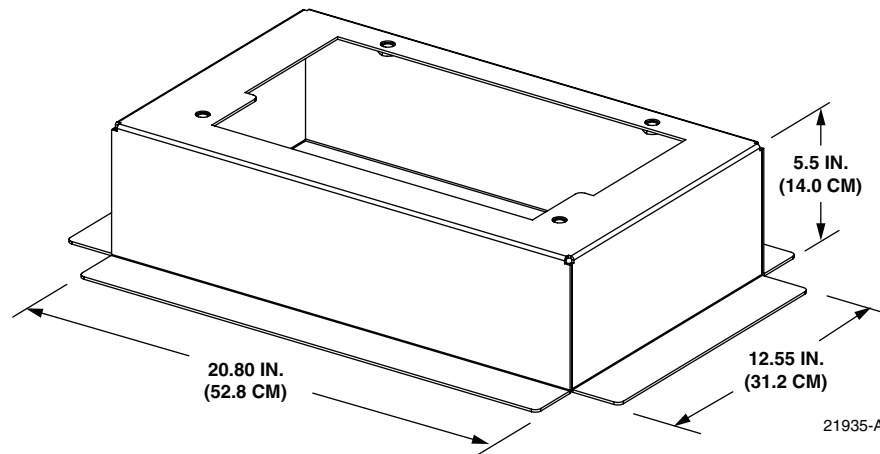


Figure 1. FD3-PMFC06 Dimensions

2 INSTALLATION RECOMMENDATIONS

The site chosen for the installation must conform to all local codes and any permits required must be obtained prior to the start of installation. The location must be accessible and provide adequate parking for worker and vehicle safety. Situate the concrete pad along the trench that was used for routing the OSP fiber cables for the system. The installed cabinet must not create a visual or physical obstruction to vehicular or pedestrian traffic. Ensure that there is sufficient space on all sides to facilitate cabinet installation. Depending on the landscaping requirements, the top surface of the concrete pad may be located from 0 to 3 inches (7.6 cm) above the surrounding grade.

3 BASE CONSTRUCTION AND CONDUIT INSTALLATION

Prepare a base for the concrete pad that meets all local code requirements. The base must have a footing of 4 to 6 inches (10.2 to 15.2 cm) of gravel or other suitable fill (per local practice) on firmly compacted soil. Refer to the diagram shown in [Figure 2](#) for the base construction details.

- ▶ **Note:** Use crushed rock 3/8-inch or less in size mixed with stone dust (per local practice) to for the base. The name of the material may differ in different geographical areas. Possible names are Class 5, stone dust, aughts (0s) and ones (1s), or stone aggregate

Install the cable conduit from below and position it so that the top of each upward bend will be located within the PMF opening at the indicated point. When installed, the top of the conduit should be located 1 to 2 inches (2.54 to 5.08 cm) **below** the top of the finished concrete pad. Install the conduit **before** pouring the pad.

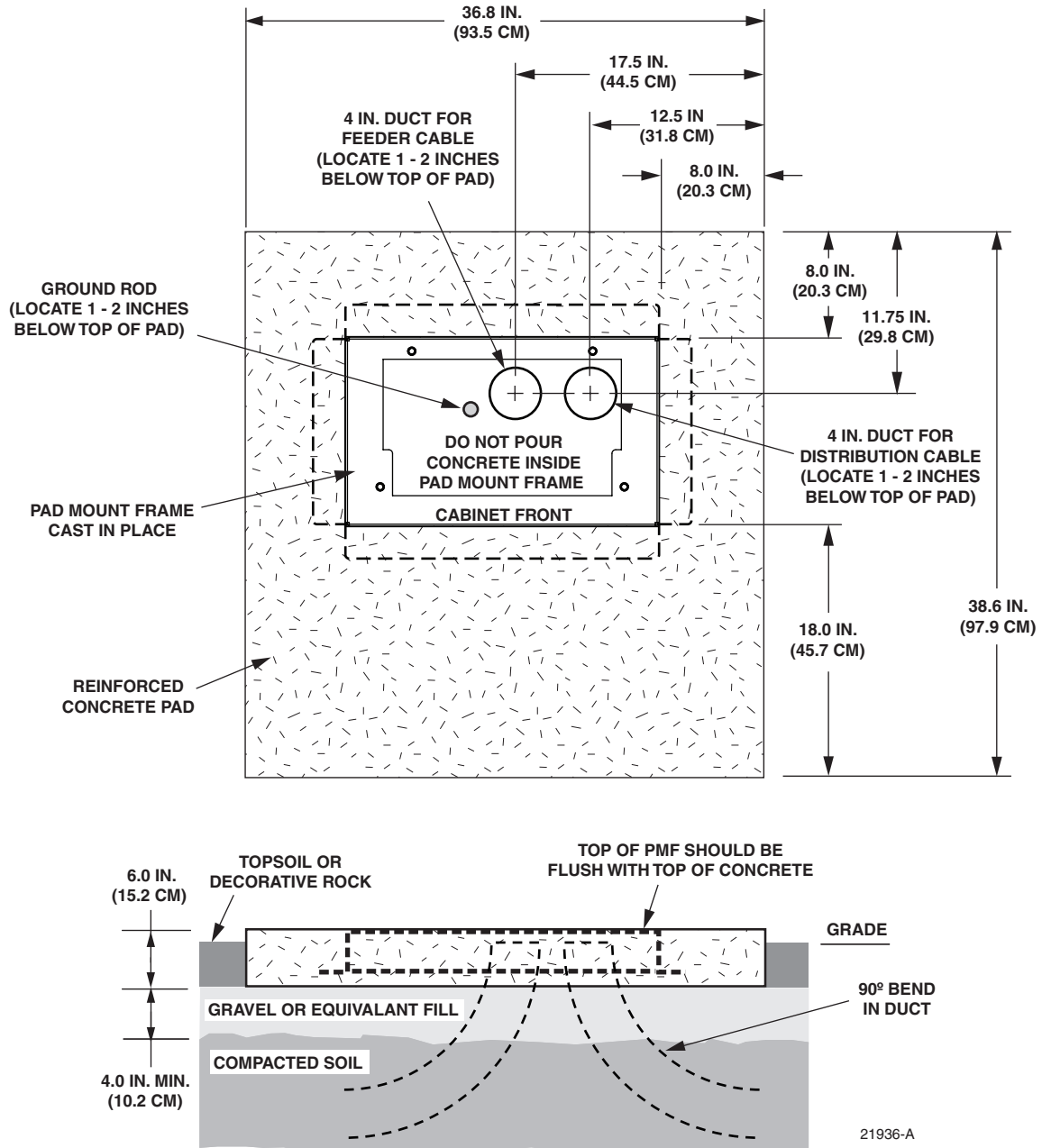


Figure 2. Constructing the Concrete Pad for the FDH 3000 Small Size Cabinet

A template is provided with the cabinet isolation gasket. The template may be used to determine the cable conduit locations. Place the template over the top of the PMF and align the top right corner of the template with the top right corner of the PMF as shown in [Figure 3](#). The holes punched in the template show the locations for the conduit within the PMF.

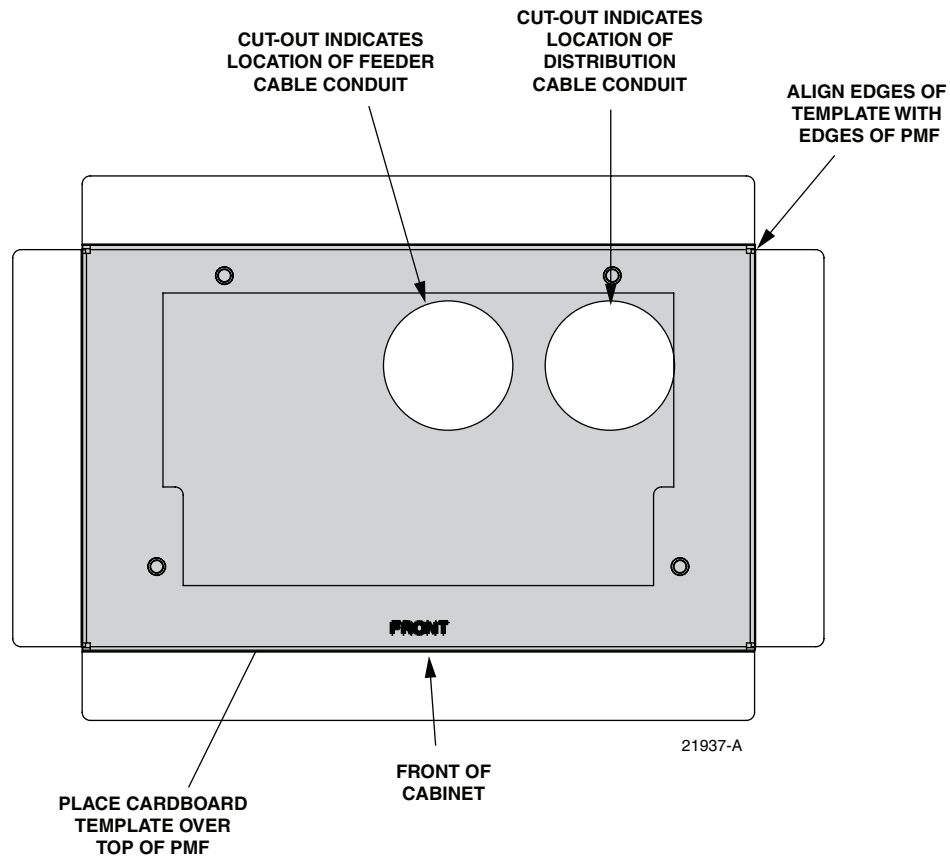


Figure 3. Using the Template To Determine Duct Location Within the PMF

4 CONCRETE PAD CONSTRUCTION

Use the following procedure to construct the concrete pad:

1. Build a wood form for the concrete pad using 2 x 6 framing lumber as shown in [Figure 4](#).
 2. Locate the PMF using the dimensions provided in the construction diagram (see [Figure 2](#)). When installed, the top surface of the PMF must be flush and level with the top of the concrete pad.
- **Note:** Use temporary top framing to keep the top surface of the PMF flush and level with the top of the concrete pad (see [Figure 4](#)) while the concrete is poured.
3. Place reinforcing material inside the form but outside of the PMF.

4. Verify that the PMF and form are level. Depending on the landscaping requirements, the top surface of the concrete pad may be 0 to 3 inches (0 to 7.6 cm) above the final grade. The weld nuts are covered with plugs which must be left in place until the enclosure is mounted.

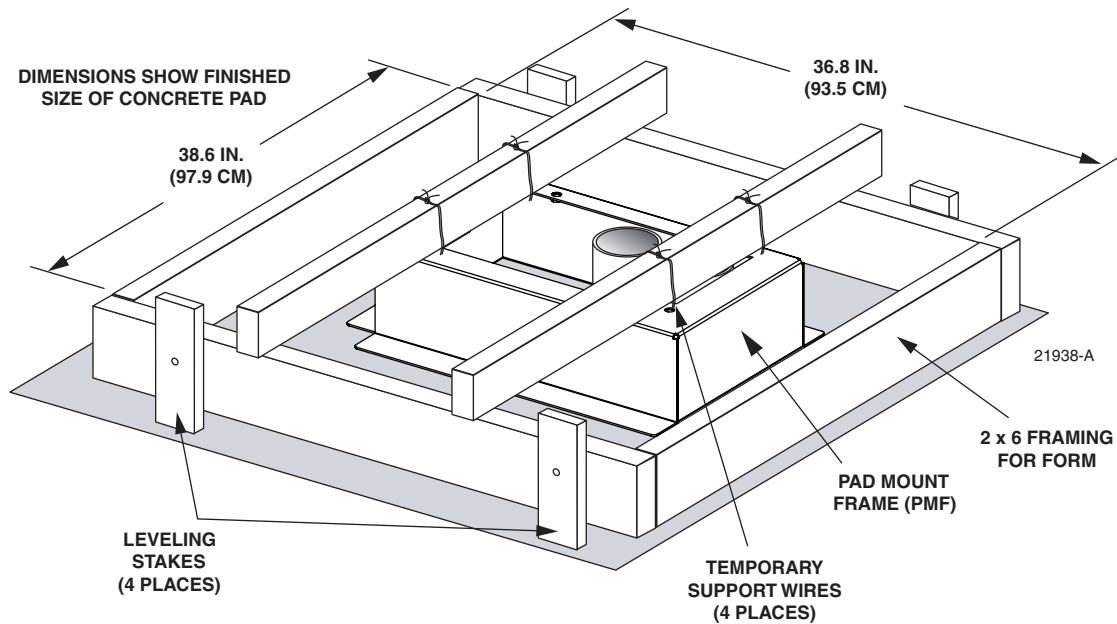


Figure 4. Cabinet Concrete Pad Framing

5. Pour the concrete to form the pad but do *not* pour concrete into the center area of the PMF.
 - ▶ **Note:** Allow some concrete to flow under the flanges on the bottom of the PMF so the PMF will be locked in place when the concrete hardens. However, do not allow concrete to fill the center of the PMF. If necessary, partially fill the center of the PMF with sand or gravel to prevent an inflow of concrete.
6. Remove the top framing and the temporary support wires when the concrete is ready to be finished.
7. Allow concrete to cure before proceeding with the installation.

5 GROUNDING SYSTEM INSTALLATION

Install a grounding system (not provided) that meets all local electrical codes. Check local codes for grounding system installation, use of clamps, wire size, and any other grounding requirements. Typically, #6 AWG copper wire is used for the ground wire.

If the grounding system includes a ground rod, install the rod (see [Figure 2](#)) within the PMF opening at the indicated point. When installed, the top of the rod should be located 1 to 2 inches (2.54 to 5.08 cm) **below** the top of the finished concrete pad.

Connect the grounding wire to the grounding system. Leave sufficient slack in the grounding wire to allow it to be routed into the cabinet after the cabinet is mounted on the pad.

6 CUSTOMER INFORMATION AND ASSISTANCE

PHONE:

U.S.A. or CANADA

Sales: 1-800-366-3691
Extension 73000
Technical Assistance: 1-800-366-3891
Connectivity Extension: 73475
Wireless Extension: 73476

EUROPE

Sales Administration: +32-2-712-65 00
Technical Assistance: +32-2-712-65 42

EUROPEAN TOLL FREE NUMBERS

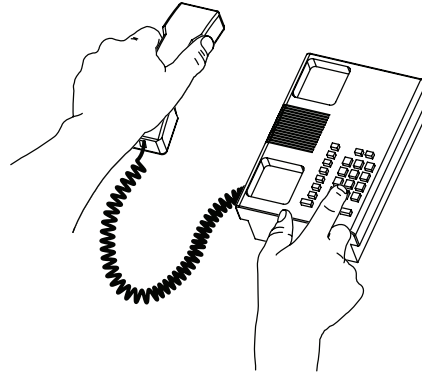
Germany: 0180 2232923
UK: 0800 960236
Spain: 900 983291
France: 0800 914032
Italy: 0800 782374

ASIA/PACIFIC

Sales Administration: +65-6294-9948
Technical Assistance: +65-6393-0739

ELSEWHERE

Sales Administration: +1-952-938-8080
Technical Assistance: +1-952-917-3475

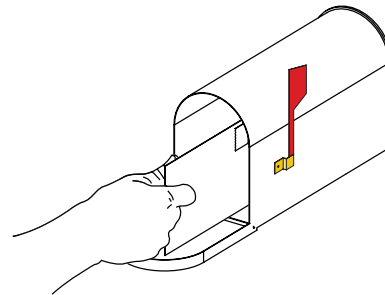


WRITE:

ADC Telecommunications (S'PORE) PTE, LTD;
100 Beach Road, #18-01, Shaw Towers.
Singapore 189702.

ADC Telecommunications, INC
PO Box 1101,
Minneapolis, MN 55440-1101, USA

ADC European Customer Service, INC
Belgicastraat 2,
1930 Zaventem, Belgium



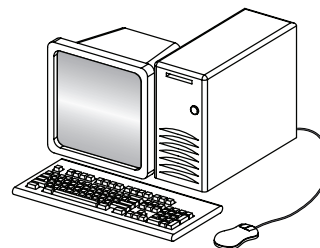
PRODUCT INFORMATION AND TECHNICAL ASSISTANCE:

connectivity.tac@adc.com

wireless.tac@adc.com

euro.tac@adc.com

asiapacific.tac@adc.com



13944-N

Contents herein are current as of the date of publication. ADC reserves the right to change the contents without prior notice. In no event shall ADC be liable for any damages resulting from loss of data, loss of use, or loss of profits and ADC further disclaims any and all liability for indirect, incidental, special, consequential or other similar damages. This disclaimer of liability applies to all products, publications and services during and after the warranty period. This publication may be verified at any time by contacting ADC's Technical Assistance Center.



© 2007, ADC Telecommunications, Inc.
All Rights Reserved .