



KONICA MINOLTA

HG

LASER IMAGER

DRYPRO

MODEL 832

HG



The essentials of imaging



# Challenging high speed processing

Konica Minolta technology pursues the ultimate performance in dry medical laser imagers. With the DRYPRO 832HG, superior image quality, ultra-high speed printing and increased cost effectiveness are all included in this very compact laser imager.

The DRYPRO 832HG dry laser imager is more than just a compact printer. Superior image quality and excellent productivity are delivered in an unparalleled time to first print of 50 seconds and a processing capacity of over 180 sheets\*1 per hour in five key film sizes - from 14×17in. to 8×10 in. The performance of this full-spec, "tabletop" silver-halide laser imager ranks with that of much larger printers.

\*1: in mixed sizes



## World's fastest first printing time\*2

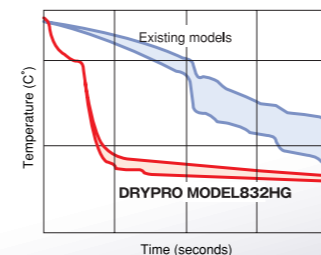
Time to first print, a major speed and productivity parameter, has been greatly improved to a short 50 seconds, the world's fastest time\*2. This is achieved by significantly shortening the film path and using a higher speed dry imaging film (SD-Q, SD-QC).

\*2: As of September 2007

## Designed for high throughput printing

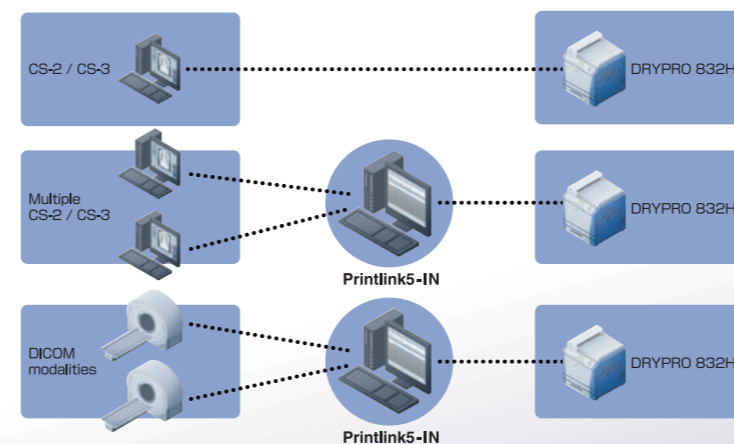
The DRYPRO 832HG has a precision temperature control system that enables stable imaging during high throughput printing. This new feature monitors the film temperature history that controls both heating and cooling. Combined with the higher speed SD-Q and SD-QC dry imaging film, the DRYPRO 832HG achieves a processing capacity of approximately 180 sheets per hour (of mixed sizes).

### Comparison of cooling speeds



\*3: Optional

### Example for Connectivity Layout



## User-friendly

The DRYPRO 832HG is very user friendly. It is easy to use, warms up quickly, and is very quiet. A clearly visible status light changes color to indicate "Ready", "Printing", and "Film Empty" conditions.



## Storing and Handling Dry Film

Dry image recording film SD-Q / SD-QC does not require a WET process. When storing and handling film, be sure to observe the following.

### 1. Storing and handling unused film

After confirming that film is packaged, store unused film, like ordinary film, in a cool, dark place (recommended temperature: 10-23°C (50-73°F)) where it will not be affected by radiation. If film is stored in a place where temperature is more than 30°C (86°F) for a long period of time, the quality of the film may change. When storing film in a film storage, it should be stored in a place where temperature is not likely to rise.

### 2. Storing and handling processed film (image)

(1) As heat-processed-type film is susceptible to high temperature or strong sunlight even after it's processed, it should be stored in a cool, dark place. When storing film for a long period of time, be sure to place it in a film bag and store it in a place where temperature is 25°C (77°F) or below. The rise in density or discoloration may occur more frequently as the temperature rises.  
(2) If the film is stored at a temperature of 40°C (104°F) or higher, this may cause density changes or discoloration even over a short period of storage. Avoid leaving the film in a car

in daytime, or using it with a hot lamp etc.  
(3) As the film is susceptible to strong sunlight as well as temperature, avoid exposing it to direct sunlight, or leaving it on a viewing screen for a long time.  
Dry film should not be cleaned with alcohol or cleaning agents that may cause density blotching and other defects. The film is resistant to water, so it may be cleaned with a soft cloth dampened with water.



available 5 sizes

# DRYPRO MODEL 832 HG

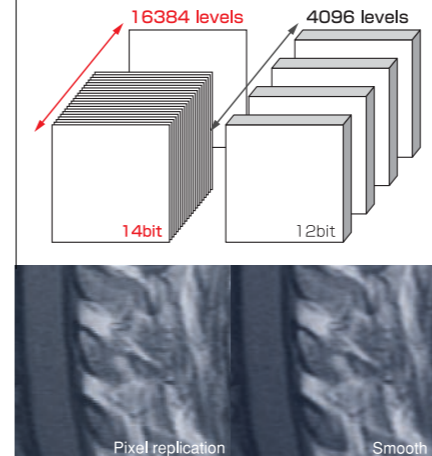
## Environment-friendly design

The excellent low-noise design assures a pleasant environment. The actual running noise has been tuned to a low tone with a reduced high-temperature range, so that it gives the impression of being quieter than it actually is. While the overall noise has been suppressed, particular attention has been given to the standby noise, ensuring a quiet environment for clinics where standby operation accounts for most of the usage time.

## Stable operation with no HDD

Hard drives store system software and data and, with that, there is always a risk that the disc will crash, bringing operation to a standstill. With the DRYPRO 832HG, we have eliminated the hard drive and introduced a design where the essential system software is run from compact flash memory and image data is managed by an external computer (CS-2/3 or Printlink5-IN), thereby contributing to stable operation.

## Comparison of density resolution

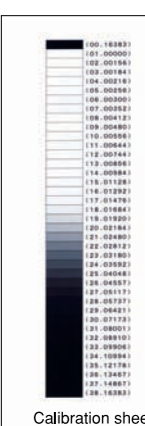


## High-quality images

A semiconductor laser and precision optics are merged to produce 78.6µm pixel size resulting in sharp, high-definition films. The DRYPRO 832HG accepts 8-bit or 12-bit data and outputs with 14-bit density resolution to accurately reproduce the highest resolution images such as those from Regius CR.

## Stable finished quality

The DRYPRO 832HG's density control function maintains the output density by automatically measuring a small density patch on every film. The system also automatically calibrates itself whenever a new box of film is loaded.





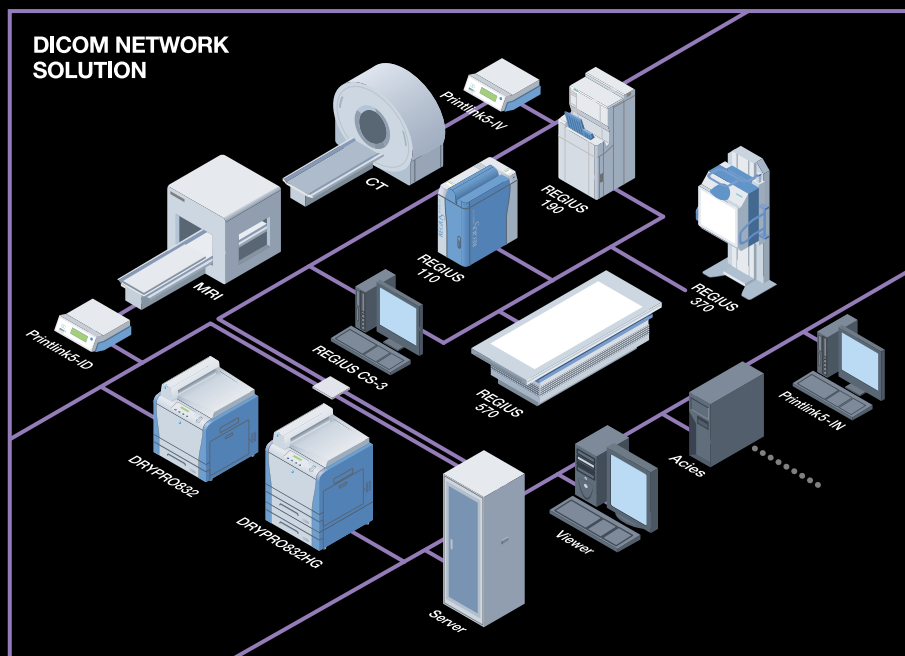
# Printlink Series



## Imager Network-Building Support by Printlink

### ■ Printlink5-IV, ID, IN

The Printlink5-IV/ID unit provides an open network environment for imager systems by converting signals from non-DICOM diagnostic devices into the DICOM 3.0 (Print Management Service Class) international standard protocol. Printlink5-IV is used with modalities that output NTSC or PAL video. Printlink5-ID is used with modalities that output 8-bit or 10-bit parallel digital (DB-37 or DB-50 connector). Printlink5-IN can extract patient information from the non-DICOM image data via an automatic optical character recognition function. The patient information can then be used on print overlays or to enhance network functionality by facilitating DICOM Store (SCU). The Printlink5-IN also supports DICOM Modality Worklist (SCU).



# LASER IMAGER DRYPRO MODEL 832HG

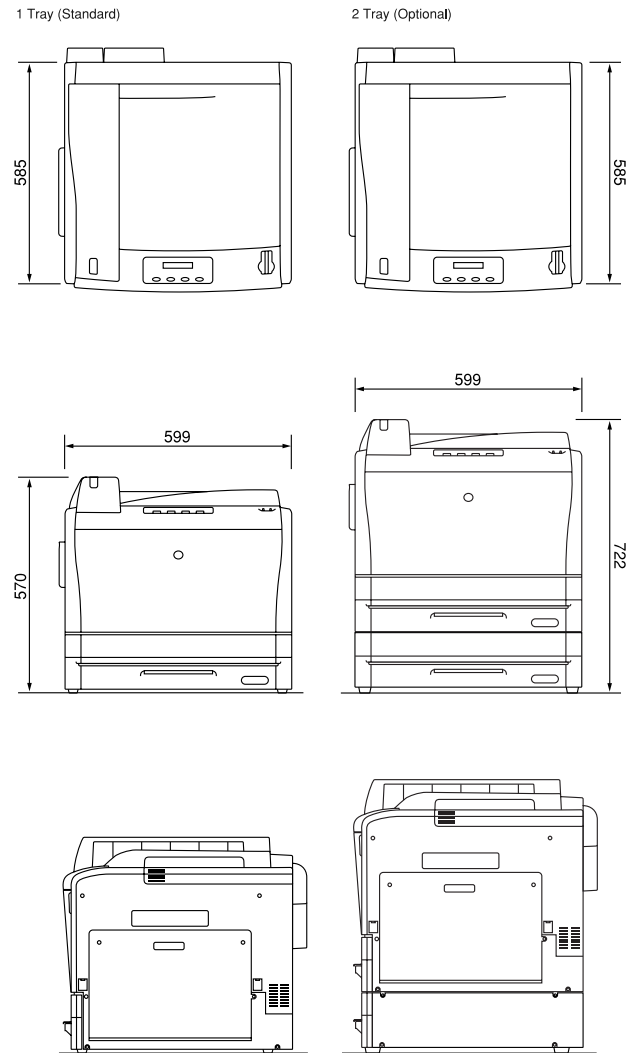
## Specifications of DRYPRO MODEL 832HG

Laser Source	Semiconductor laser
Film Size	14"×17"(35×43cm), 14"×14"(35×35cm), 11"×14"(28×35cm), 10"×12"(25×30cm) and 8"×10"(20×25cm) selectable
Film	Dry Imaging recording film SD-Q / SD-QC
Image Format	1,2,4,6,8,9,12,15,16,20,24,25,30,35,36,42,48,54,60,63,64
Image Memory	Print memory (64MB / standard)
Pixel Size	78.6 $\mu$ m (320dpi)
Image data input	8bit / 12bit
Output gradation	16384 levels (14bits)
Image Mode	Pixel replication / Function interpolation process
Processing capability	Approx. 180 sheets/hour (mixed sizes)
First Printing Time	less than 50sec
Input interface	Ethernet 10base-T / 100 base-TX / 1000base-T
External connection	Connection to external computer (CS-2/3 or Printlink5-IN)
Supply	1 Tray (standard) 2 Tray maximum (optional)
Border processing	Black / White
Trimmed frame	Available
Density correction	Automatic via built-in densitometer
Positive / negative	Available
Operating condition	15-30°C(59-86F) 30-70% RH
Power	UL : 120V AC $\pm$ 10% 60Hz $\pm$ 1Hz 10A CE : 220-240V AC $\pm$ 10% 50/60Hz $\pm$ 1Hz 6A
Heat generation	UL : 1200KJ/H or less CE : 1400KJ/H or less
Noise Level	In print Mode : 53 dB or less In standby mode : 46 dB or less
Dimensions	W599×D585×H570 mm *with 1 Tray W599×D585×H722 mm *with 2 Tray
Footprint	0.35m <sup>2</sup>
Weight	approx. 95kg (209lb) *with 1 Tray approx. 117kg (258lb) *with 2 Tray
Accessories	Power Cable, Operation Manual, Cutter (for film loading)

## Specifications of Printlink5

Model	Printlink5
Connectable imager	DRYPRO793 / 832HG / 832 / Other Konica Minolta imagers.
Interface	Video (NTSC, PAL), digital (8 or 10-bit), network (DICOM)
Image memory capacity	Printlink5-IV / ID : Approx. 40MB, Printlink5-IN: 80GB
Image format	Printlink5-IV / ID : 1, 2, 3, 4, 6, 9, 12, 15, 16, 20, 24, 25, 30, 35, 36, 42, 48, 64, mixed format
Number of input channels	Printlink5-IV / ID : 1 channel maximum Printlink5-IN : 7 channels maximum (Total: 8 input/output channels)
Number of output channels	Printlink5-IV / ID : 2 channels maximum Printlink5-IN : 7 channels maximum (Total: 8 input/output channels)
Test pattern	Built-in
Controller	Printlink5-IV / ID : Color LCD monitor with backlight Printlink5-IN : Keyboard + mouse + LCD monitor (optional)
External dimensions	Printlink5-IV / ID : W195×D162×H50mm (main unit) : W105×D36×H188mm (controller) Printlink5-IN : W85×D359×H309mm (main unit) : W345×D156×H338mm (optional monitor)
Weight	Printlink5-IV / ID : Main unit 1.5kg, controller 230g Printlink5-IN : Main unit 8.3kg, optional monitor 3.5kg
Power supply	AC 100-240V 50/60Hz
Power consumption	Printlink5-IV / ID : 50W or less Printlink5-IN : Main unit 180W (maximum)

## Outer dimensions



Unit: mm 1/20 scaled

★In order to improve the performance, the specifications above are subject to change without notice.



KONICA MINOLTA

**KONICA MINOLTA MEDICAL & GRAPHIC, INC.**

No.1, Sakura-machi, Hino-shi, Tokyo, 191-8511, Japan

Distributed by :